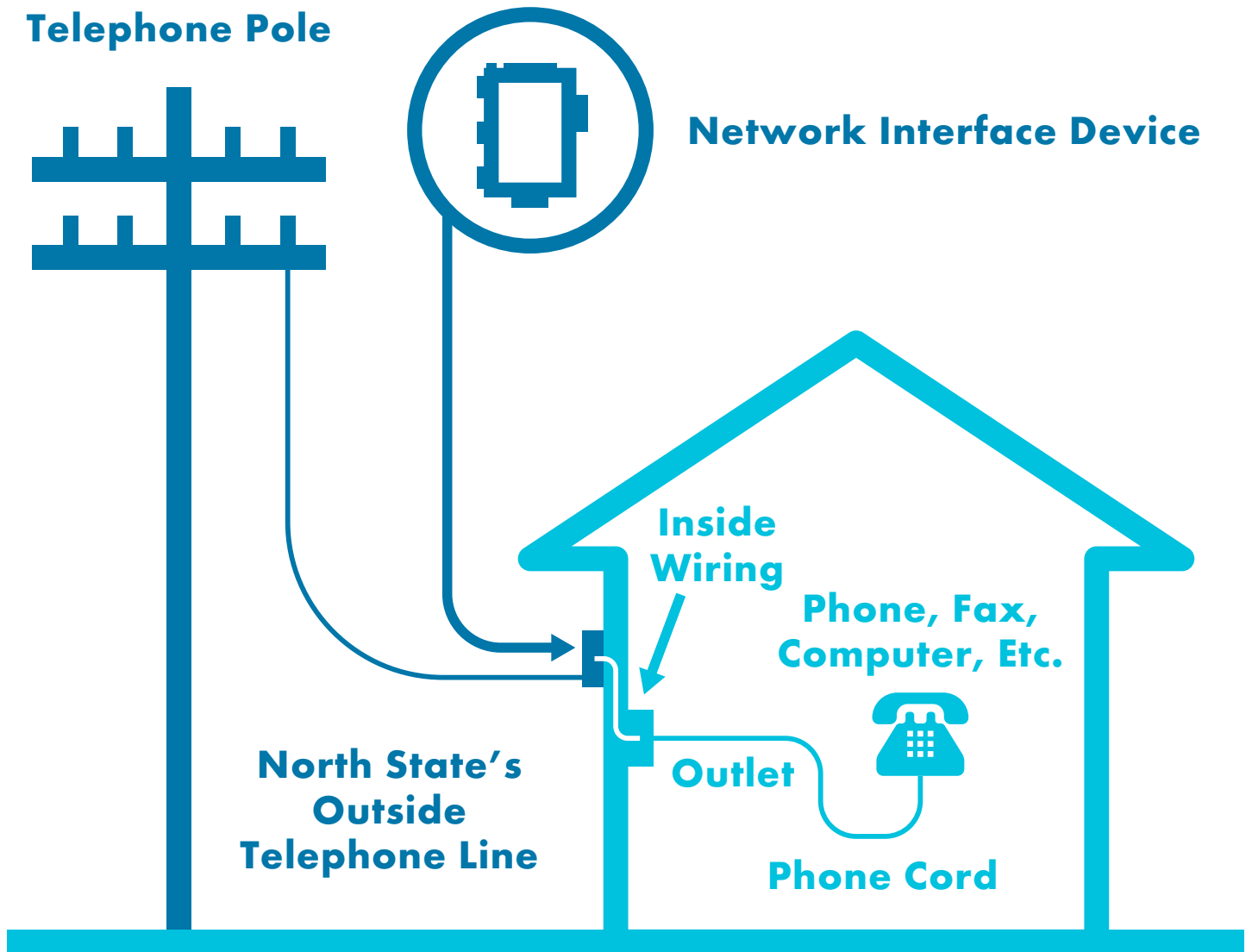


NORTH STATE'S RESPONSIBILITY



CUSTOMER'S RESPONSIBILITY